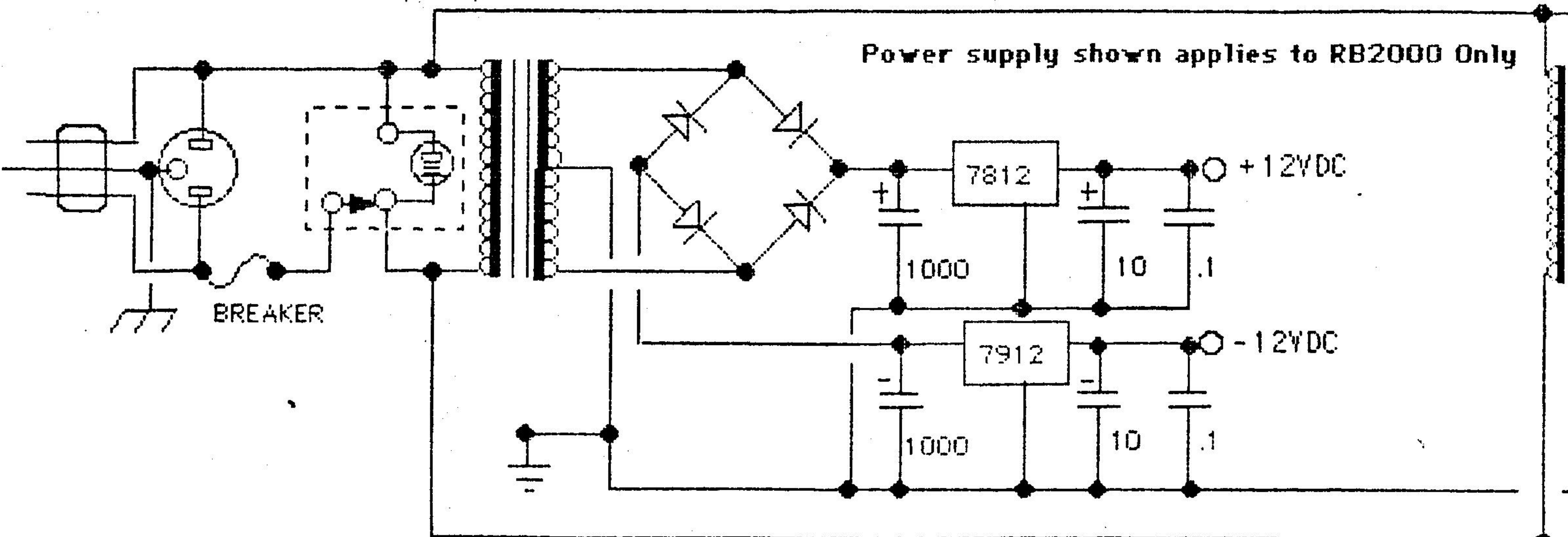
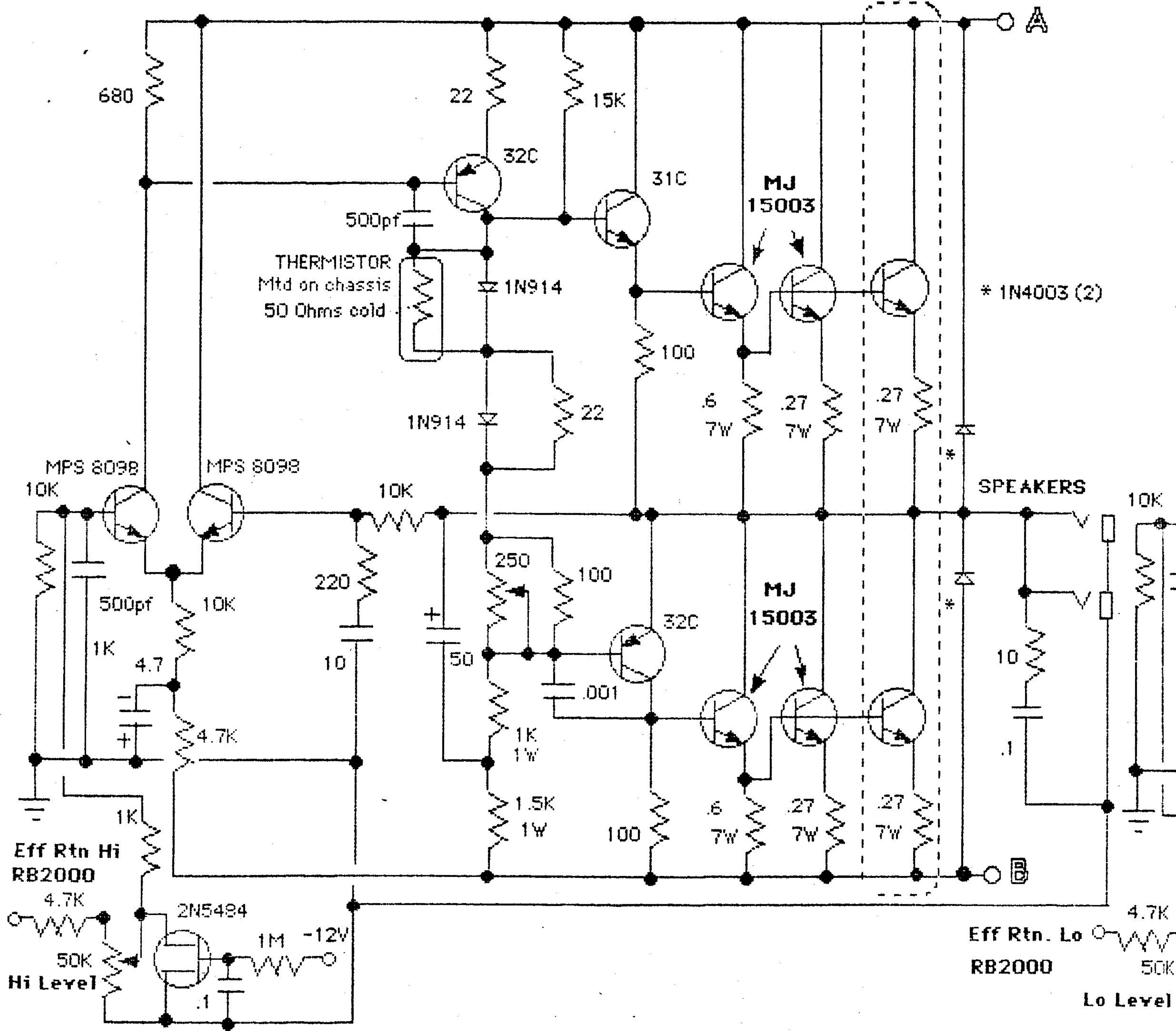
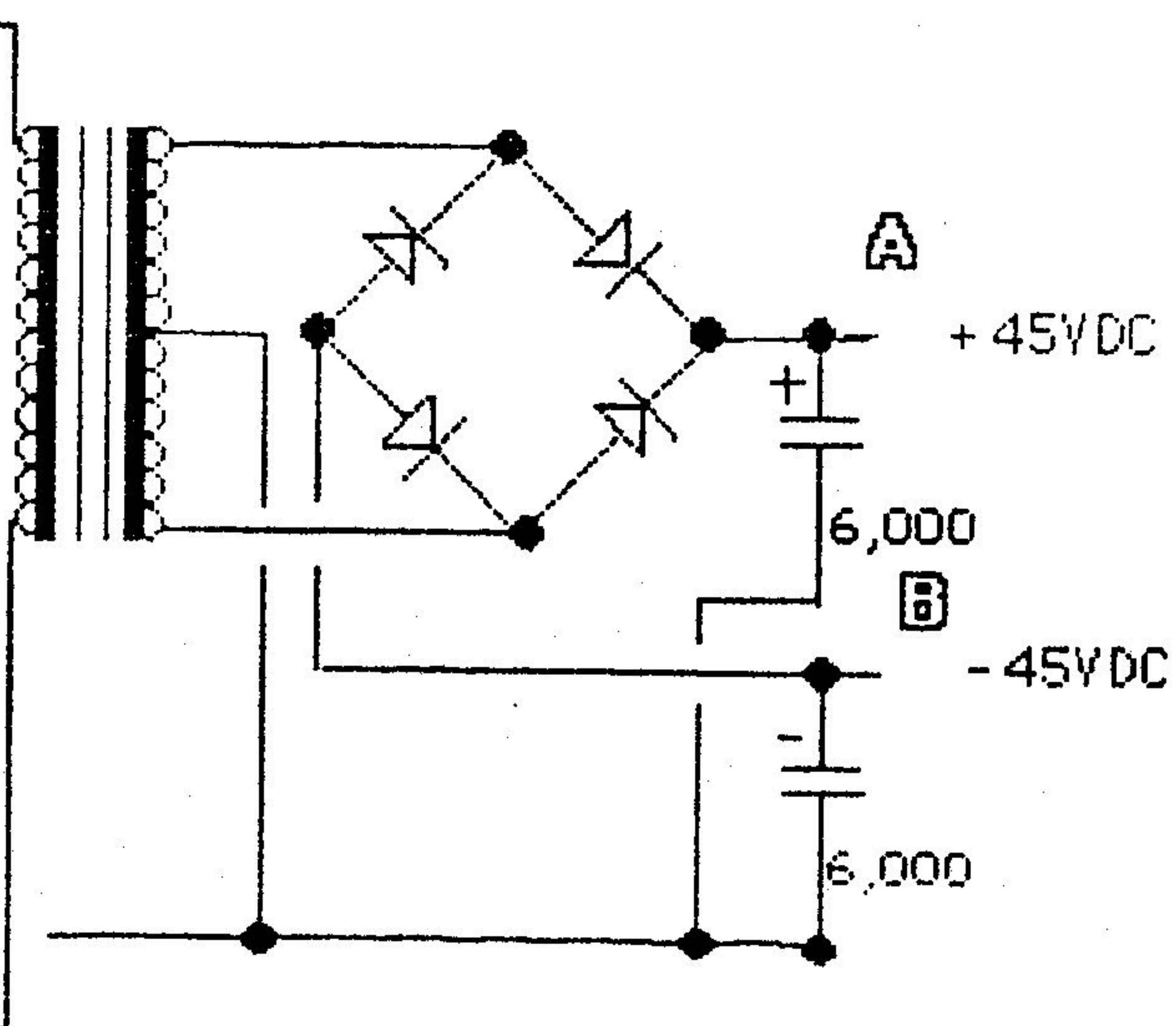
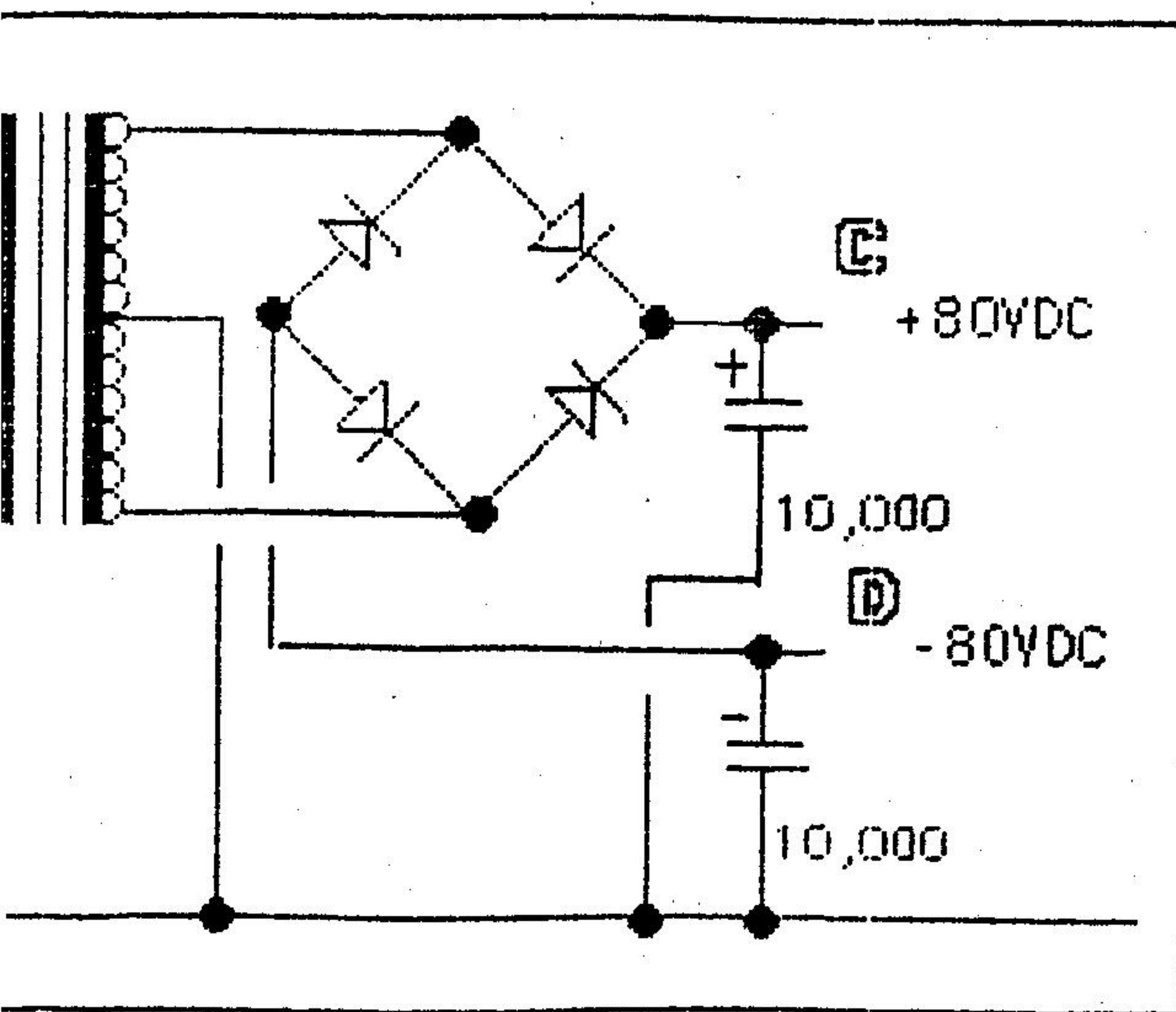
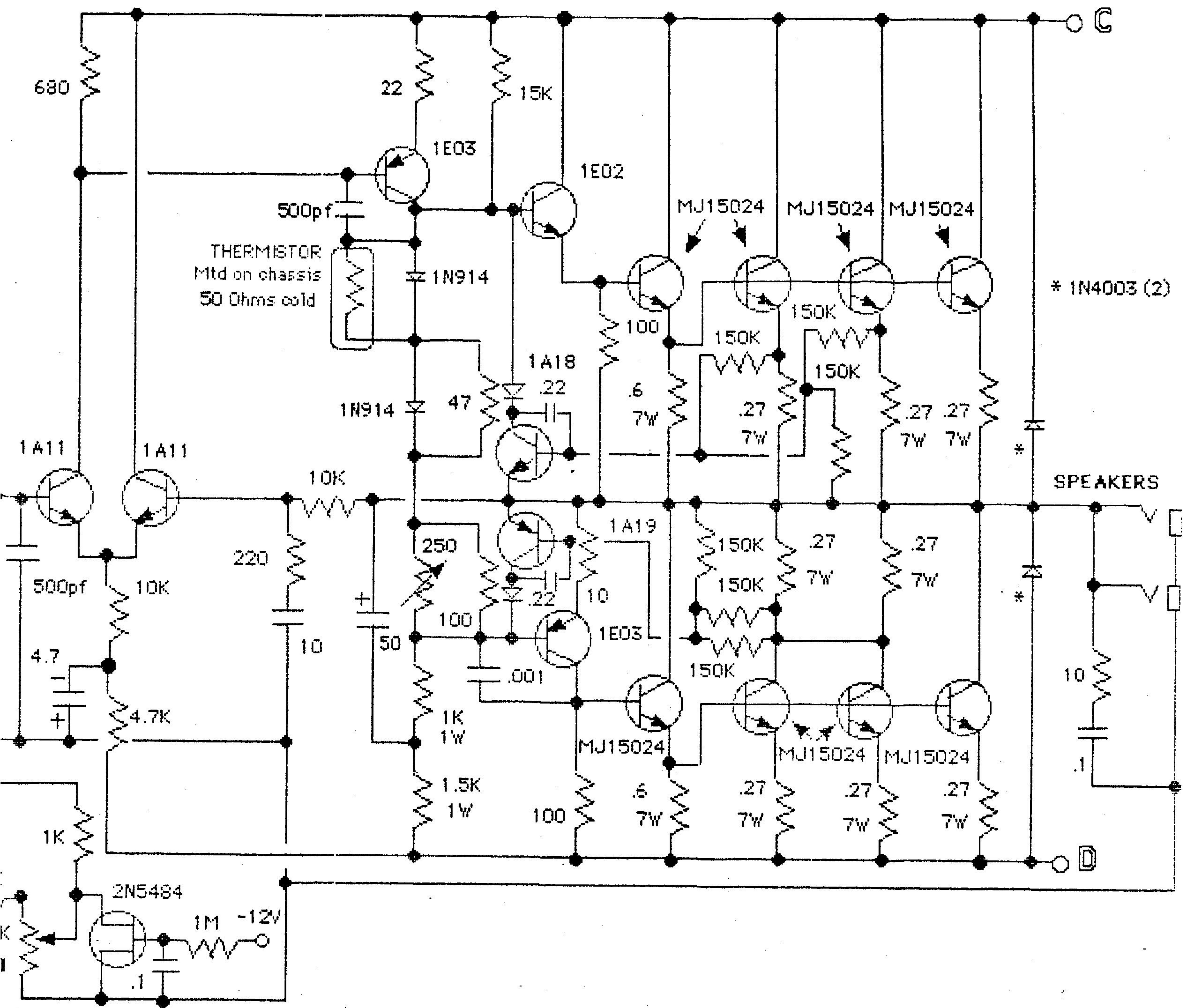
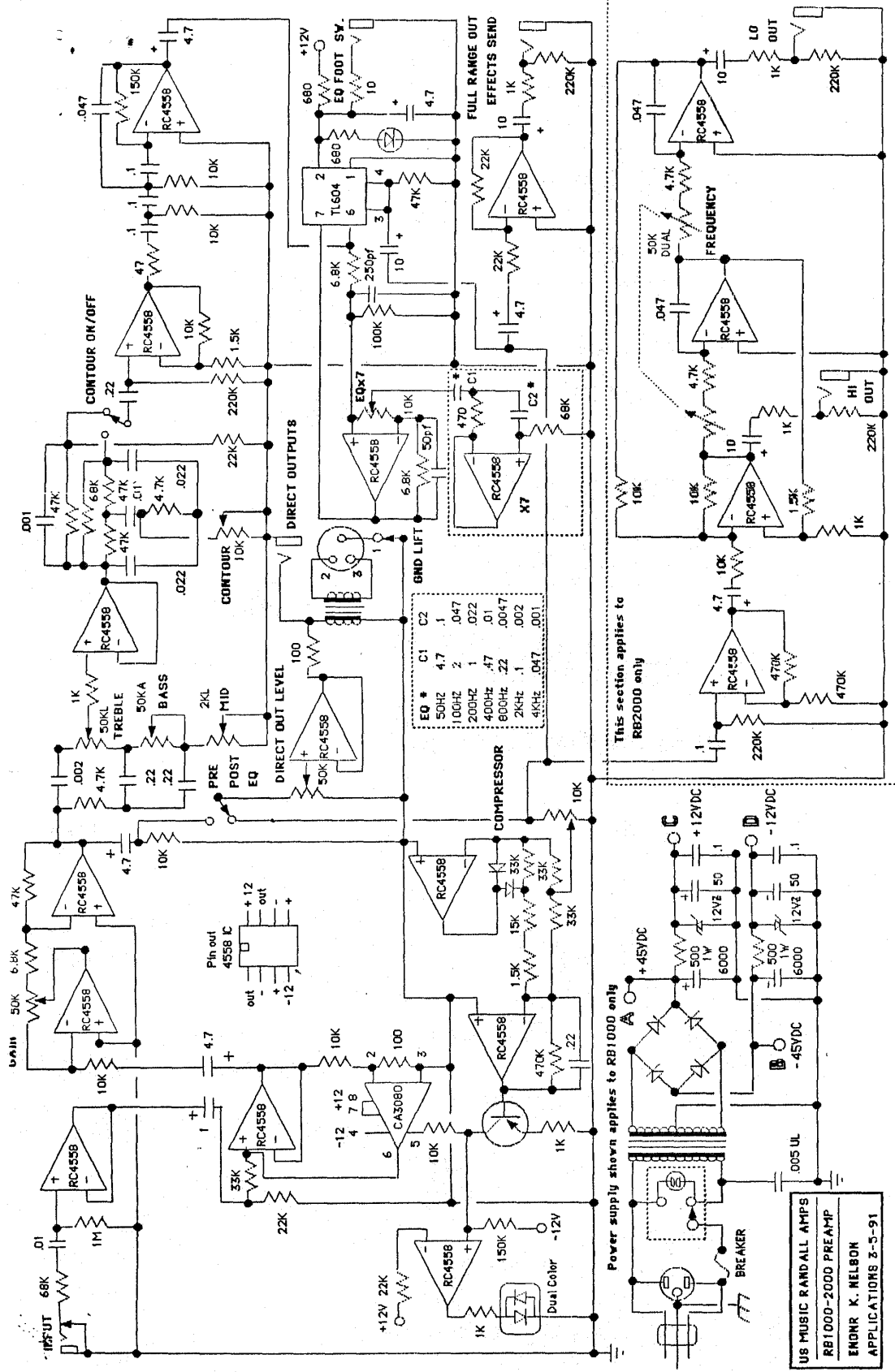


Add 2 MJ15003
and 2 resistors for
RB1000





US MUSIC RAND ALL
 RB1000-RB2000
 POWER AMPS
 PWR SUPPLY RB2000
 Kevin Nelson Appl.



EQ *	C1	C2
50Hz	4.7	.1
100Hz	2	.047
200Hz	1	.022
400Hz	.47	.01
800Hz	.22	.0047
2KHz	.1	.002
4KHz	.047	.001

This section applies to RB2000 only

Power supply shown applies to RB1000 only

US MUSIC RANDALL AMPS
 RB1000-2000 PREAMP
 ENDR K. NELSON
 APPLICATIONS 3-5-91